



FEED AND BIOFUEL
**EFFICIENT
SHRIMP FEED PELLETTING**

SHANGHAI PELLET MILL TYPE SVPC53

ANDRITZ

ENGINEERED SUCCESS

Efficient and high quality shrimp feed pelleting

The ANDRITZ SVPC53 pellet mill is designed expressly for the production of high quality shrimp feed. The flexibility of the SVPC53 technology allows for continuous optimization to ensure maximized production capacity, as well as the water stability and durability of the pellets. All machine parts coming into contact with the feed ingredients are made of stainless steel for the security of hygienic conditions and the single-motor, triangle belt drive provides a consistent performance that is easy to operate and maintain safely and reliably.

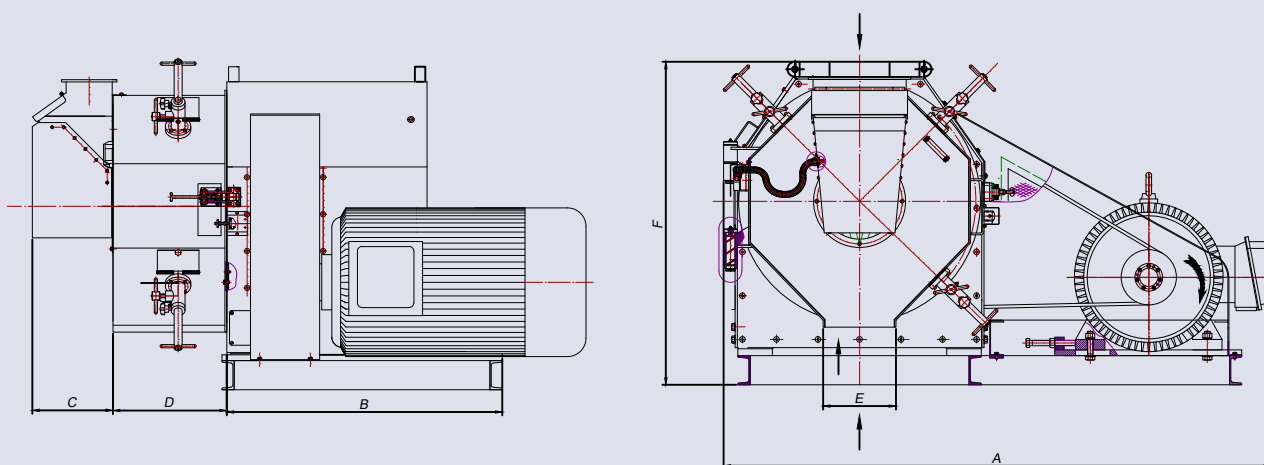
SVPC53

- Independent auto roller adjustment
- Emergency pneumatic discharging mechanism
- Overload protection device and die hoist device installed
- Main shaft forged from structural alloy steel
- Dies forged out of high-quality chromium stainless steel, precisely machined, vacuum heat treated with high finishing perforation and long service life

SVPC53 pellet mill



SVPC53 pellet mill



TECHNICAL SPECIFICATIONS

Model	SVPC53 (shrimp)	
Capacity (t/h)	3-4 (Ø1.6)	
Die (mm)	Inside diameter	530
	Pelleting Width	192
Roller (mm)	Qty.	2
	Diameter	250
Main Motor	Power (kW)	132*1
	Rotation speed (rpm)	302

Continuously optimized technology ensures the ideal capacity, better water stability and good appearance of pellet.

DIMENSION SIZE (MM)

Model	A	B	C	D	E	F
SVPC53	2375	1195	350	494	318	1401





GLOBAL SUPPLIER – LOCAL PRESENCE

With sales, service, engineering, manufacturing and production sites located all around the world, ANDRITZ Feed and Biofuel is truly a global organization with a local presence. ANDRITZ is vital to ensuring a reliable global supply of aqua feed, animal feed, pet food, and biofuel. With full process lines accounting for half the world's production of aqua feed and biomass alone, we continuously support leading producers in achieving the highest levels in safety, quality, and control from feedstock to final product.

How can we help grow your business?

ANDRITZ Feed and Biofuel A/S

Glentevej 5-7
6705 Esbjerg, Denmark
p: +45 72 160 300
andritz-fb.dk@andritz.com

ANDRITZ (Shanghai) Equipment & Engineering Co., LTD

No.2288, Rongle East Road, Songjiang,
201613, Shanghai, P.R.China
p: +86 21 57745781
andritz-fb.cn@andritz.com

AUSTRALIA

p: +61 3 8773 4888
andritz-fb.au@andritz.com

CHINA

p: +86 21 5774 5781
andritz-fb.cn@andritz.com

ITALY

p: +39 (0445) 575 695
andritz-fb.it@andritz.com

TURKEY

p: +90 232 570 38 00
andritz-fb.tr@andritz.com

BANGLADESH

p: +880 22 2226 4800
andritz-fb.bd@andritz.com

DUBAI

p: +971 4 299 5555
andritz-fb.uae@andritz.com

MEXICO

p: +52 443 323 1530 ext 364
andritz-fb.mx@andritz.com

UK

p: +44 1482 825119
andritz-fb.uk@andritz.com

BRAZIL

p: +55 47 3387 9146
andritz-fb.br@andritz.com

FRANCE

p: +33 24 75 06 364
andritz-fb.fr@andritz.com

NETHERLANDS

p: +31 40 2627777
andritz-fb.nl@andritz.com

USA

p: +1 570 546 1253
andritz-fb.us@andritz.com

CANADA

p: +1 519 676 7057
anbosales@andritz.com

GERMANY

p: +49 2104 9197 0
andritz-fb.de@andritz.com

POLAND

p: +48 60 906 1037
andritz-fb.pl@andritz.com

VIETNAM

p: +84 8 6253 9434
andritz-fb.vi@andritz.com

CHILE

p: +56 2 24624608
andritz-fb.cl@andritz.com

INDIA

p: +91 87544 15287
andritz-fb.india@andritz.com

SOUTH AFRICA

p: +27 82 781 0808
andritz-fb.za@andritz.com

ANDRITZ.COM/FT

JOIN US ON SOCIAL MEDIA



All data, information, statements, photographs and graphic illustrations in this leaflet are without any obligation and raise no liabilities to or form part of any sales contracts of ANDRITZ AG or any affiliates for equipment and/or systems referred to herein. © ANDRITZ AG 2021. All rights reserved. No part of this copyrighted work may be reproduced, modified or distributed in any form or by any means, or stored in any database or retrieval system, without the prior written permission of ANDRITZ AG or its affiliates. Due to legal requirements, we must inform you that ANDRITZ AG processes your data for the purposes informing you about the ANDRITZ GROUP and its activities. Find out more details about our data privacy declaration and your rights under the data protection legislation on our website: andritz.com/privacy. ANDRITZ AG, Stattegger Strasse 18, 8045 Graz, Austria.



3017 GB